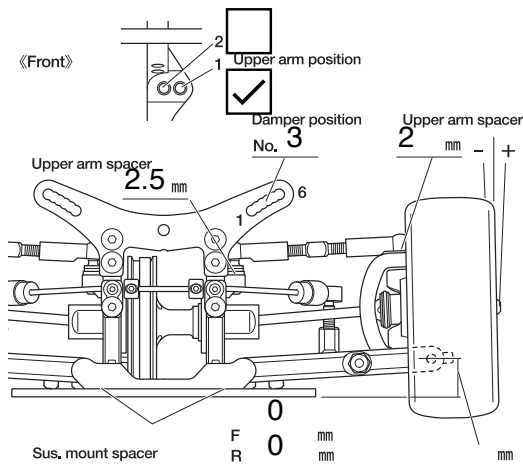


# TRF 419 WORLD CHAMPION TEAM

TAMIYA RACING FACTORY

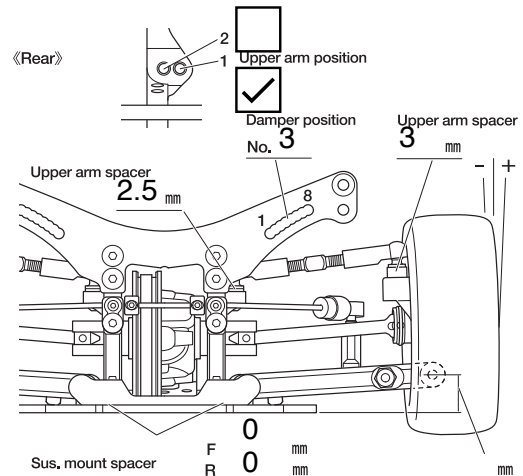
Ver 1.00  
SETTING SHEET

Name **Dai Sakaguchi** Date **13.12.2015** Air temp. **22°C** Humidity \_\_\_\_\_  
 Track **ETS Hrotovice** Track condition **Carpet - High Traction** Track temp. \_\_\_\_\_



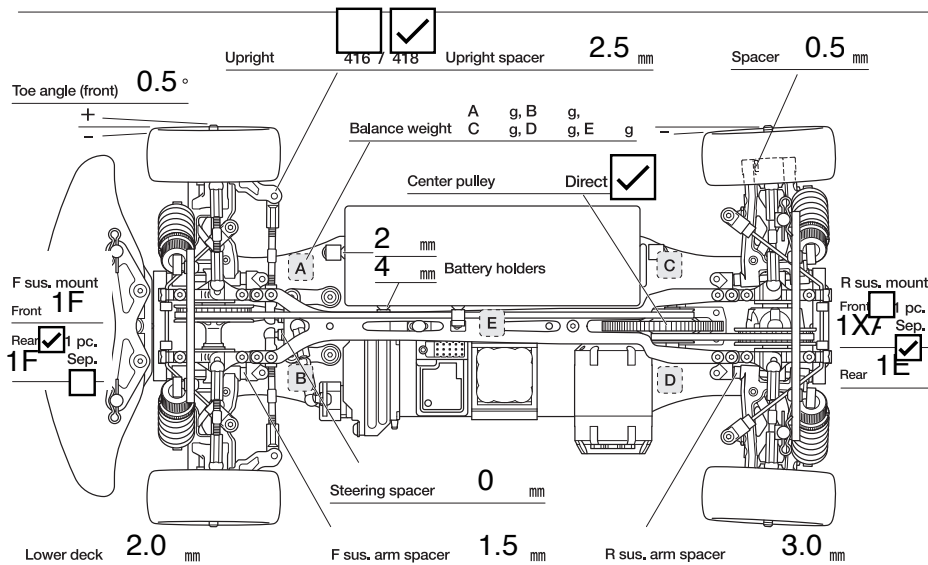
Front axle **4** °  
 Camber angle **1.5** °  
 Ground clearance **5.2** mm  
 Rebound stroke \_\_\_\_\_ mm  
 Stabilizer **1.3**mm  
 Wheel spacer **0**mm  
 Front drive **Direct**  
 Differential oil # %

Damper type **TRF**  
 Piston **3** hole(s)  
 Oil **450** #  
 Spring **Yok. Pink**  
**Drop 6.0mm**



Rear upright  416 /  418  
 Camber angle **2.0** °  
 Ground clearance **5.4** mm  
 Rebound stroke \_\_\_\_\_ mm  
 Stabilizer **1.2**mm  
 Wheel spacer **0** mm  
 Rear drive **Geardiff**  
 Differential oil **6k**

Damper type \_\_\_\_\_  
 Piston **3** hole(s)  
 Oil **450** #  
 Spring **Yok. Blue**  
**Drop 4.8mm**  
**Samix 419 Aluchassis**



Motor **Fleta 5.0t**  
 Spur gear **114** Pinion gear **29**  
 Battery **6000** / g  
 Body **PF Speed 6 LW**  
 Wing **PF HD**  
 Tire **Volante SpecB**  
 Wheel **Volante**  
 Tire insert **Volante**  
 Best lap **13.4**